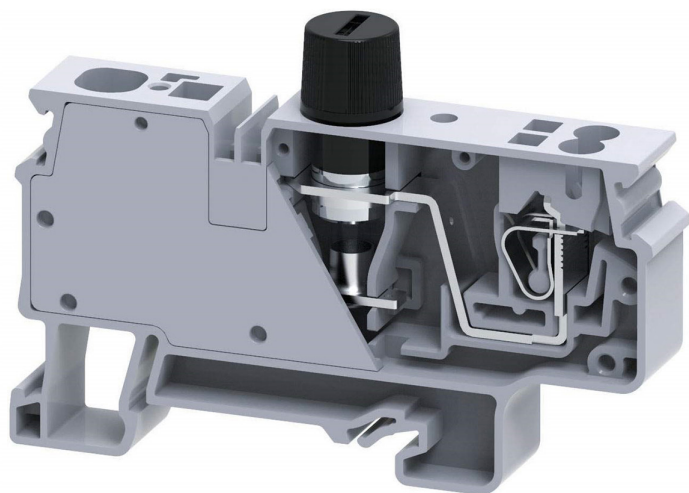


TtecCXVF2.5



Fuse Spring Clamp Terminal Blocks

The TtecCXVF2.5 is a 6mm² I/P 2 x 2.5mm² O/P Vertical Fuse terminal block that can be used in electrical and control systems which require fuse protection.

These terminal blocks accept industry standard $\varnothing 5 \times 20$ mm glass cartridge fuses.

The TtecCXVF2.5 terminal blocks have a built-in end plate, therefore, no live parts are exposed. They can be internally bridged using our standard shorting links.

Model	TtecCXVF2.5		
Width (Thickness) x Length	12 x 75 mm		
Height with DIN-Rail: 35 x 7.5 / 35 x 15	43 mm / 50.5 mm		
Connection Possibility as per	IEC	UL - CSA	
Stranded Wire - Input Side	0.2 - 10 mm ²	24 - 8 AWG	
Stranded Wire - Output Side	0.2 - 2.5 mm ²	24 - 12 AWG	
Wire Stripping Length	10 mm		
Type of Connection	Spring Clamp		
Ratings as per	IEC60947-7-1	UL-1059	CSA22.2-158
Voltage	1000 V	600 V	600 V
Current	10 A	20 A	20 A
Fuse Sizes	$\varnothing 5 \times 20$ mm, $\varnothing 5 \times 25$ mm, $\varnothing 6.3 \times 32$ mm		
Voltages Available	12, 24, 48, 60, 240Vac/dc		
Certification	CE		
Rated Impulse Voltage / Pollution Degree	8 KV / 3		
Accessories	End Clamps, Shorting Links (2 - 16 pole), Blank Marking Tags		